



**tables hr TB HR**

**Sit&stand desk**

Designed for movement and flexibility. Simple and quick electrical adjustment encourages frequent repositioning to increase energy and productivity.

**Smart controller and mobile app**

The strengths of Bejot adjustable desks are the built-in controller that remembers your preferred (personalised) four tabletop height settings so that returning to your favourite position will not be a problem. The desk can be controlled at the touch of a button or via a mobile or computer app, thanks to Bluetooth connectivity. The integrated display indicates the current height of the desk and the installed app reminds you to change your position from sitting to standing.

**TB HR / Technical data**

● Standard    ○ Option

**Height adjustment**

Desk adjustment range 610-1260 mm

**Base**

Powder painted black RAL 9005 or white RAL 9016

●

**Tabletops dimensions**

140 x 80 cm

**TB HR14 D80**

160 x 80 cm

**TB HR16 D80**

200 x 100 cm

**TB HR20 D10**

**Controller**

A controller with a colour display, Bluetooth and a dedicated mobile application that allows remote control, remembering preferred settings.

**DPG1C**

●

**Tabletop mounted mediaport**

Round PIX mediaport (black) - 1 voltage socket 230 V

**[type]1V**

○

Round PIX mediaport (black) - 2 x USB charger

**M1CC**

Inductive charger

**IC**

### **Accessories for cable organization (recommended for media port)**

---

Cable cover (under a tabletop) for TB HR14 D80 tabletops

**TB CM H S**

Cable cover (under a tabletop) for TB HR16 D80 and TB HR20 D10 table tops

**TB CM H L**

## **TB HR / Technical data**

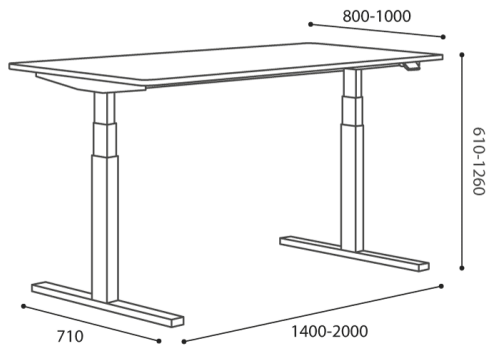
### **Warning**

---

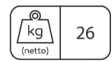
Please check in advance if the product dimension matches the dimensions of the elevator and the entrance to the building where the product will be installed.

## TB HR / Dimensions

Dimensions are approximate and may vary depending on product configuration configuration. Standards are always taken into account.



waga samej konstrukcji  
weight of the base itself  
Gewicht der Gestell selbst



TB HR