



mate MT 220

Functional & convenient

This armchair was developed to create a friendly, ergonomic working atmosphere. The Mate is a simple in terms of its shape, functional and comfortable armchair, at an attractive price.

Perfect work companion

A characteristic joint at the back of the armchair fixes the backrest with the seat in a light manner. A wide range of the upholstery colours, as well as high functionality, make that the Mate can also become your perfect work companion.

MT 220 / Technical data

Standard

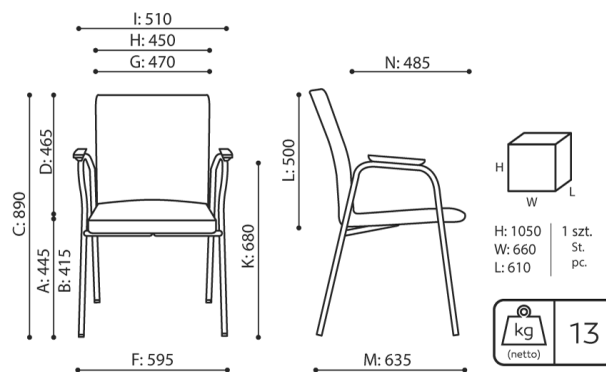
Option

Base	CODE	
Powder painted (colors according to the Bejot pattern book)		<input checked="" type="radio"/>
Chrome / powder coated - color: Copper		<input type="radio"/>
Armpads		
MT 220/ MT 230- Soft, black polyurethane - PU	PUP	<input checked="" type="radio"/>
MT 230 - black polyurethane - PU pipe type	PUT	<input type="radio"/>
Feet	CODE	
Feet for ceramic floors, concrete and carpets	TK	<input checked="" type="radio"/>
Felt feet for wooden floors and panels	TF	<input type="radio"/>

MT 220 / Dimensions

Dimensions are approximate and may vary depending on the selected product configuration. The requirements of the standard are always met.

seat height: overall dimensions	A
seat height: measured according to the norm PN EN 1335 - 1	B
chair height	C
backrest height	D
headrest height	E
dimensional width chair / ø base	F
seat width	G
backrest width	H
width between armrests	I
height from the floor to the armrest	K
backrest lenght	L
dimensional chair depth	M
seat depth / seat lenght	N



MT 220



mate MT 230

Functional & convenient

This armchair was developed to create a friendly, ergonomic working atmosphere. The Mate is a simple in terms of its shape, functional and comfortable armchair, at an attractive price.

Perfect work companion

A characteristic joint at the back of the armchair fixes the backrest with the seat in a light manner. A wide range of the upholstery colours, as well as high functionality, make that the Mate can also become your perfect work companion.

MT 230 / Technical data

Standard

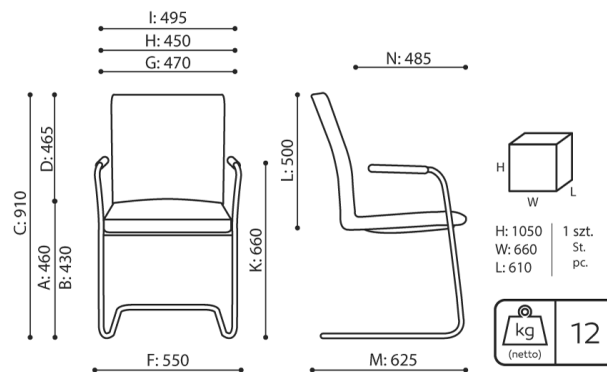
Option

Base	CODE
Powder painted (colors according to the Bejot pattern book)	<input checked="" type="radio"/>
Chrome / powder coated - color: Copper	<input type="radio"/>
Armpads	
MT 220/ MT 230- Soft, black polyurethane - PU	PUP <input checked="" type="radio"/>
MT 230 - black polyurethane - PU pipe type	PUT <input type="radio"/>
Slides	CODE
Without glides	<input checked="" type="radio"/>
Glides for ceramic floors, concrete and carpets	SK <input type="radio"/>
Felt glides for wooden floors and floor panels	SF <input type="radio"/>

MT 230 / Dimensions

Dimensions are approximate and may vary depending on the selected product configuration. The requirements of the standard are always met.

seat height: overall dimensions	A
seat height: measured according to the norm PN EN 1335 - 1	B
chair height	C
backrest height	D
headrest height	E
dimensional width chair / ø base	F
seat width	G
backrest width	H
width between armrests	I
height from the floor to the armrest	K
backrest length	L
dimensional chair depth	M
seat depth / seat length	N



MT 230